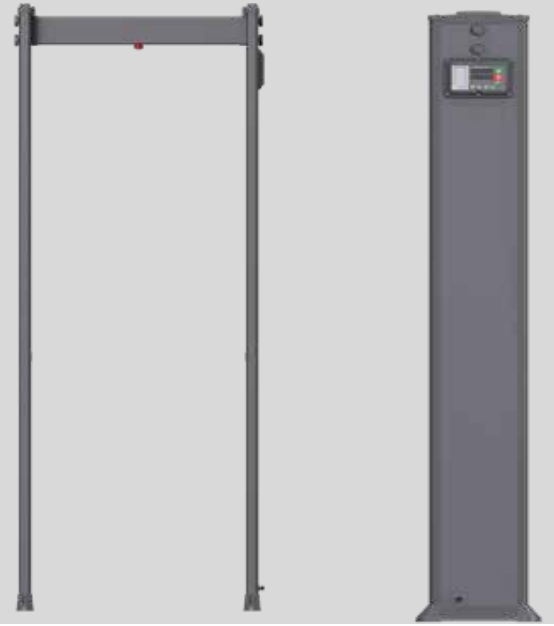


Walk through Metal Detector - 6 zone Door Side Controller

TS-DF6-IP54

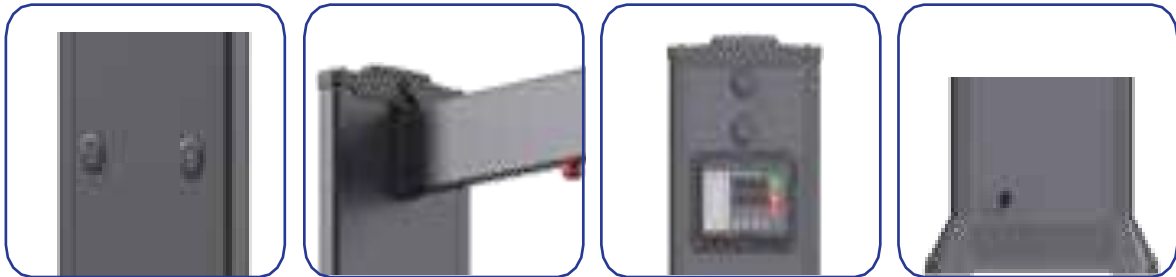


Specification

Working principle : Electromagnetic
Materials : ABS (Acrylonitrile Butadiene styrene) raw materials
Frequencies : 0-100. Net weight : 21 KG Gross weight : 27 KG
External size : 2165x828x349mm Passage size : 2017x720x349mm
Working humidity : 99%, non-condensing

Working temperature : -20°C-65°C
Input : AC 100V-240V/Frequency 50HZ-60HZ
Product colour : Matte Black
IP rating : 54 - [Dust proof coating] Sensitivity adjustable : 0 - 400
Volume adjustable : 0 - 50 Alarm volume : 0 - 3 sec
Alarm tones : 15 different tone Detection : Ferrous metals<75gm

Product Preview :



Features :

- Ergonomic structure new design.
- High bright new LED digital with zones display.
- Support multi zones by selecting 3/6/9
- Easy fixing of cross beams with side door DFMD controller.
- Helps in detection of prohibited items.
- Infrared sensor for pass count & alarm count.
- Simple installation 2 doors (R & L), cross

Beam with wire probe



Bank



Factory



Hotel

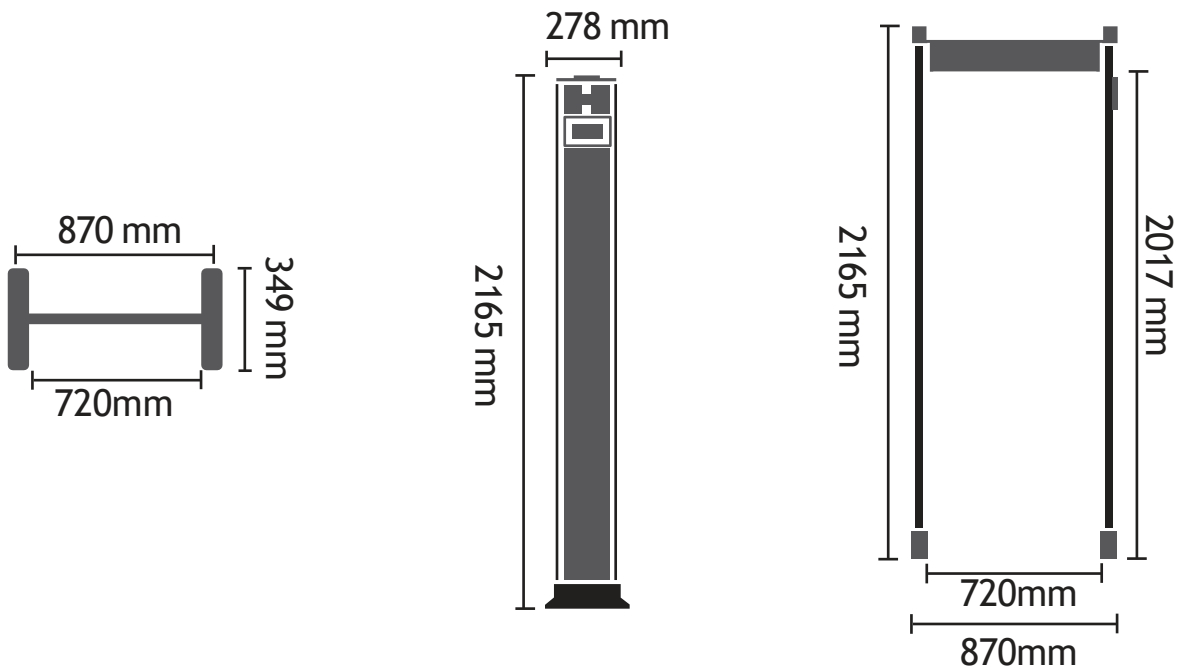


Offices



Theater

Dimension :



Disclaimer : Brief specifications are mentioned here. Specifications may change without prior notice. Customers are advised to check with us before purchase. Actual product may differ slightly to that depicted for ongoing product development.

www.technospacio.com